

Expression of Interest (EOI)

A complete set of the Request for EOI document in English can be downloaded from the Bank's website at <https://www.aibl.com.bd>, also can be obtained from ICTW office at 11th Floor of AIBL Tower.

The EOI will be available from the ICTW of the Bank, Head Office, 63 Purana Paltan (11th floor), Dhaka-1000, Bangladesh, from 10.00 A.M. to 4 P.M. on all working days between 22/06/2023 to 23/07/2023. The offers will be received up to 3.00 pm. on 23/07/2023 and the tender box will be opened at 3.10 pm. on the same day. Electronic submission shall not be permitted. Late EOIs will be rejected. EOIs should be submitted in sealed envelopes with the words "**Expression of Interest - ICT Transformation project**" clearly marked on the top left-hand corner and addressed to:

DMD and CTO

ICT Wing

Al-Arafah Islami Bank Limited.

Al-Arafah Tower, 63 Purana Paltan, Dhaka 1000

The Bank reserves the right to accept or reject any EOI and to cancel the current exercise and reject all EOIs without thereby incurring any liability to any applicant or any obligation to inform applicants of the grounds of its action.



Syed Masodul Bari
DMD & CTO

ICT Division, Head Office,
Al-Arafah Tower (Level-11)
63, Purana Paltan, Dhaka-1000.

www.aibl.com.bd

Expression of Interest (EOI)

A complete set of the Request for EOI document in English can be downloaded from the Bank's website at <https://www.aibl.com.bd>, also can be obtained from ICTW office at 11th Floor of AIBL Tower.

The EOI will be available from the ICTW of the Bank, Head Office, 63 Purana Paltan (11th floor), Dhaka-1000, Bangladesh, from 10.00 A.M. to 4 P.M. on all working days between 22/06/2023 to 23/07/2023. The offers will be received up to 3.00 pm. on 23/07/2023 and the tender box will be opened at 3.10 pm. on the same day. Electronic submission shall not be permitted. Late EOIs will be rejected. EOIs should be submitted in sealed envelopes with the words "**Expression of Interest - ICT Transformation project**" clearly marked on the top left-hand corner and addressed to:

DMD and CTO

ICT Wing

Al-Arafah Islami Bank Limited.

Al-Arafah Tower

63 Purana Paltan, Dhaka 1000

The Bank reserves the right to accept or reject any EOI and to cancel the current exercise and reject all EOIs without thereby incurring any liability to any applicant or any obligation to inform applicants of the grounds of its action.



Syed Masodul Bari
DMD & CTO

ICT Division, Head Office,
Al-Arafah Tower (Level-11)
63, Purana Paltan, Dhaka-1000.

www.aibl.com.bd

জালাল আহমেদ
এসভিপি এন্ড হেড অব পিআর

Expression of Interest (EOI) Application Modernization for CBS & Software Defined Data Centre Solution

Project Name : ICT Transformation Project

EOI Number : 001

Version: 1.0

Effective Date: 22/06/2023

Submitted Date: 23/07/2023

Content

1	Introduction	3
2	Requirements To Complete This EOI	3
3	Supplier Information And Prequalification Form	4
4	General Scope Requirements	5
5	Terms & Conditions Of EOI	7
6	Attachments	8

Attachment 1 - Supplier Prequalification & Interested Party Transaction (IPT) Declaration

Attachment 2 - Supplier Code Of Conduct

Attachment 3 - Items/services Specifications

Attachment 4 - Non-disclosure Agreement

1 Introduction

1.1 Instructions to The Supplier

You are invited to participate in this Expression of Interest (EOI) related to the supplying of software, solutions, consultancy and project management services to **Al-Arafah Islami Bank Limited (AIBL)** for its software defined datacentre (SDDC) & modern application platform based on microservices.

The information included in this EOI is confidential to AIBL and must not be disclosed to any person or organisation without the express written permission of AIBL. This EOI, all attachments and subsequent notices, must be returned to AIBL or destroyed at AIBL request.

If you wish to submit a response, it must be in accordance with the documents in and attached to this EOI.

The closing date and time for submission is by **23.07.2023**.

1.2 Project Background

Al-Arafah Islami Bank Limited (AIBL) is a shariah compliant bank in Bangladesh founded on 27 September 1995. A shariah council of the bank is responsible for ensuring the bank activities meet shariah requirements. The headquarters are located in Motijheel, Dhaka.

AIBL in its efforts to continue to be the leader in Islami banking is looking to establish a next generation microservice platform to support its next gen core banking platform and future applications. This platform is intended to enable AIBL to deliver better and faster banking products and solutions to market. The platform will provide AIBL with the flexibility to run on premise environments and allow microservices based applications to be developed quickly and released using a secure software supply chain. Additionally, the core platform needs to be based software defined architecture where this microservices will run along with traditional virtual machine-based applications and BareMetal.

Objectives & Expected Outcomes

This new SDDC platform should be a convergence platform to build, manage and run microservice based application as well as continue to support traditional BareMetal or virtual machine-based applications. The core elements of data centre should be software defined (likewise: software defined compute, software defined storage, software defined network). This SDDC platform should be seamlessly support existing SAN environment and compatible with reputed backup, recovery solutions. This platform should enable AIBL to run self-driving operations, intelligent monitoring, and intrinsic security. Additionally, there should be a disaster recovery approach with minimum RPO (recovery point objective) and RTO (recovery time objective).

Expected Outcomes:

Modern Application Platform

Platform for traditional and modern applications. Fast, standardized, repeatable and scalable deployment of IT platform provides business enhanced time to market. [attachment_5 & 6]

Software Defined Datacenter

Virtualization of data center core elements "Server", "Network" & "Storage" with life cycle management which provides better TCO & improves ROI. [attachment_7]

Intelligent Operation & Intrinsic Security

Intelligent platform with security & compliance ensures operational efficiency and AI/ML driven capacity planning.

Disaster Recovery

Build Active/Passive SDDC across DC/DR and provisioning approx. 200+ VMs with an expected consolidation ratio of 1:8. [attachment_8]

Key platform capabilities

- **Faster Delivery**
 - A platform with opinions—support the cloud operating model & landscape — with templates, best practices, and integrated tooling— but providing flexibility to incorporate solutions that the bank may already have in place.
 - Application accelerators
 - Convention Service enables the bank’s platform engineering team to express how applications should run on Kubernetes. It applies these opinions to fleets of developer workloads as they are deployed to the platform, saving platform engineering and developer time.
- **Developer productivity**
 - The bank is focused on jump starting developers with a rich set of tooling and a pre-paved path to production to build and deploy software quickly. We have a combination of internal bank developers and external developers from our vendors / partners.
 - Central developer portal, one place to get started, get visibility into the environment.
 - Based on Enterprise supported Backstage, which has seen great traction (and is also modular and pluggable)
 - API portal and discovery to allow the bank to have a good view of all the available digital services / APIs.
- **Continuous security**
 - Security is a core requirement for the bank. We require end-to-end security—that’s inclusive of securing the contents of container images, their path to production and how containers interact in production across clusters and clouds.
 - Supply chains, build packs and their ability to quickly rebase images, plus integration with service mesh technology.
- **Modular Integration**
 - Integrate with existing tooling. The platform should provide a framework and a fully customizable Supply Chain. The bank wants to be able to start with just a couple of the components and increase our usage of the platform as our demands mature.
- **Any K8s, any cloud**
 - With this next generation platform, applications need to be de-coupled from infrastructure. We want to be able to cost-effectively operate modern applications more securely and at scale—running workloads wherever we want. And we want a consistent operator and developer experience regardless of the backing cloud. While our existing infrastructure is in the data center, we are looking for the easiest path to modernize applications and run them with any Kubernetes.

2 Requirements to Complete this EOI

2.1 EOI Preparation

All costs incurred by the Supplier in the preparation, presentation and demonstration of this EOI shall be borne by the Supplier. All supporting documentation and manuals submitted in response to this EOI will become AIBL's property unless otherwise stated by the Supplier at the time of submission.

2.2 Samples

The Supplier, as part of their response, are required to submit samples, brochures or documentation of the items/services supplied. All costs incurred in the preparation of the samples, including delivery and collection, are to be borne solely by the Supplier.

Samples, brochures or documentation submitted will be returned to the supplier upon request.

2.3 EOI Response Document Guidelines

The Supplier must complete and submit the following documents as part of their response:

- Attachment 1 – Supplier Prequalification and IPT Declaration.
- Attachment 2 – Supplier Code of Conduct Form.
- Attachment 3 – Item/Services Specification.
- Attachment 4 – Non-Disclosure Agreement (NDA).
- Attachment 5 – Modern Application Architecture (part 01).
- Attachment 6 – Modern Application Architecture (part 02).
- Attachment 7 – Software Defined Architecture.
- Attachment 8 – Software Defined Architecture with Disaster recovery.

2.4 Amendment of Documents by AIBL

AIBL may at any time amend the documents by notice in writing to the prospective suppliers. Any amendments under this clause will become part of the EOI. This will be notified via email.

3 Supplier Information & Prequalification Form

In this section, the Supplier is requested to complete, sign and endorse the **Supplier Prequalification and IPT Declaration** in **Attachment 1**. The information captured with these forms will be used by AIBL to accurately assess the Supplier. The Supplier is also required to sign and endorse the **Supplier's Code of Conduct Form** submitted as **Attachment 2**.

4 General Scope Requirements

This section details all the project schedule deliverables and other requirements the Supplier must adhere to.

4.1 Scope of EOI

This section contains a summary of scope items included in the EOI. AIBL reserves the right to amend scope at any time during the EOI process.

The Supplier may include specifications on the item/service, in terms of the required quality, quantity, and technical specifications whenever applicable. The specification list should be submitted as **Attachment 3 – Item/Services Specifications** for details of item/services.

The Supplier is requested to provide consultancy and/or project management services for the following items:

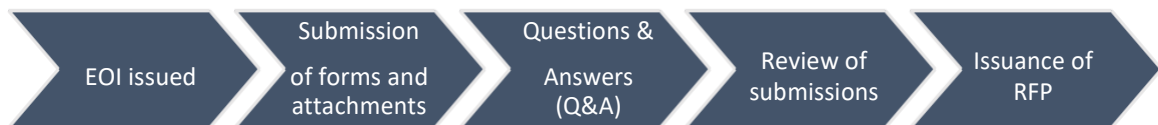
4.2 **Manage overall project implementation**

4.3 **Project Schedule & Deliverables**

This section outlines the project deliverables of the EOI process.

AIBL reserves the right to change the priority of the planned project dates in consultation with the Supplier.

The project emphasizes collaboration and transparency at all stages to deliver shared-goals and the key objectives outline in Section 4.1.



4.3.1 **Non-Disclosure, Prequalification & IPT Declaration**

Participants in this EOI process will have access to some sensitive commercial data. We require our Non-Disclosure Agreement (NDA) to be completed, signed and returned by all suppliers wishing to participate. Please also complete the prequalification form, IPT declaration and upload all required documents and attachments via AIBL email address cto@aibl.com.bd; aminul@aibl.com.bd; soheb@aibl.com.bd; ishtiaq@aibl.com.bd by **23/07/2023**.

4.3.2 **Questions & Answers on EOI**

Participants may submit questions in relation to this document to _AIBL email address cto@aibl.com.bd; aminul@aibl.com.bd; soheb@aibl.com.bd; ishtiaq@aibl.com.bd by **23/07/2023**.

4.3.3 Review of Submissions & Issuance of RFP

Following a review of submissions, AIBL will provide an RFP document to shortlisted suppliers, including detailed requirements. The RFP is expected to be issued by **23/09/2023**.

4.3.4 Point of Contact

Your point of contact for any procedural enquiries throughout this process is

**DMD & CTO
ICT Wing
Al-Arafah Islami Bank Limited
cto@aibl.com.bd**

Suppliers are advised not to contact any other representative of AIBL during this process, outside scheduled meetings and discussions. Doing so may result in a supplier's disqualification from the process.

5 Terms & Conditions of EOI

This EOI is subjected to established conditions aimed for the protection of AIBL's interest.

1. Submission of information will imply express acceptance of the conditions herein;
2. All submissions shall become the property of AIBL;
3. We may at our sole discretion extend the period for submission;
4. You will indemnify us and keep us indemnified against any third party intellectual property claim arising out of the information you provided;
5. We reserve the right to accept or reject any or part of any submission, and to reject all submissions at our sole discretion, without being under any obligation to give reasons therefore;
6. This EOI does not commit AIBL to award a contract or to pay for any costs incurred by the Supplier in the preparation of the information to this request;
7. We are under no obligation to follow up any information forthwith or at all;
8. You agree to comply with the current market standards or practices, legislation or regulatory compliance whenever is applicable;
9. The information contained in this EOI shall only be disclosed to your employees and agents in part or in whole strictly on a need to know basis;
10. The information contained in this EOI shall not be disclosed to any third party in part or in whole without the prior consent of AIBL;
11. Without detracting from the prohibition above, any employee agent or third party to whom disclosure of such information is made shall be required to enter into a prior undertaking to be bounded by the same requirements of enter into a prior undertaking to be bound by the same requirements of confidentiality as you are under this EOI;
12. The requirement of confidentiality shall be applicable for a period of **2 Months** from the date of this EOI;
13. You are required to sign the Non-Disclosure Agreement (NDA) attached to the EOI .

6 Appendix

Attachment 1 – Supplier Prequalification and IPT Declaration

The Supplier is required to sign and submit the Supplier prequalification and IPT declaration to AIBL



Attachment 2 – Supplier Code of Conduct Form

The Supplier is required to sign and submit the form to indicate acceptance to AIBL Supplier Code of Conduct.



Attachment 3 – Items/Services Specifications



The Supplier is required to submit, specification documents of the items/services. For example:

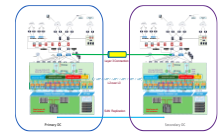
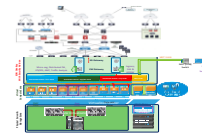
- Work done for similar projects
- Detailed evaluation of solution tools
- Examples of optimised processes
- Previously developed performance management framework and training curriculum

Attachment 4 – Non-Disclosure Agreement (NDA)

The Supplier is required to sign and submit the NDA to AIBL as part of the EOI response



Attachment 5-8 – Reference Architecture



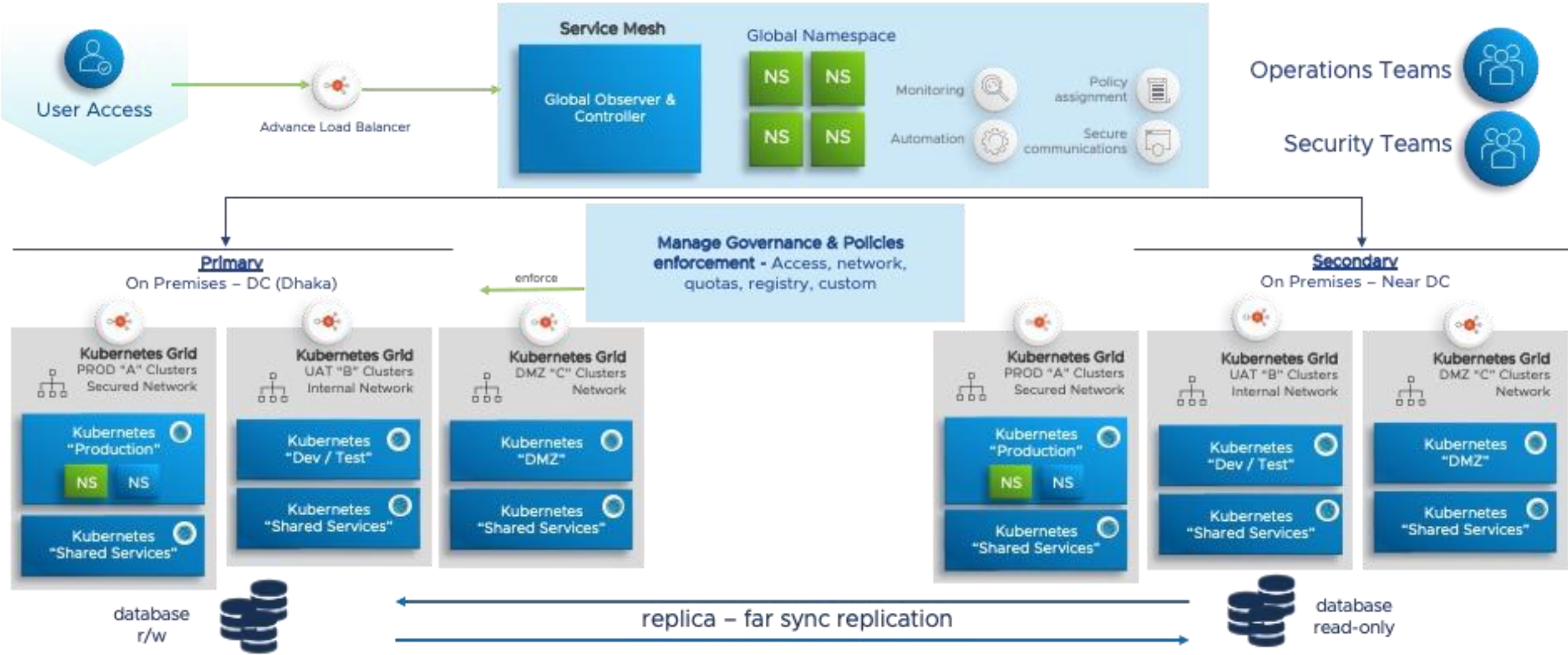
Disclaimer

This template is prepared solely for the use of **Al-Arafah Islami Bank Limited**, for the purpose of formulating/refining other than those stated

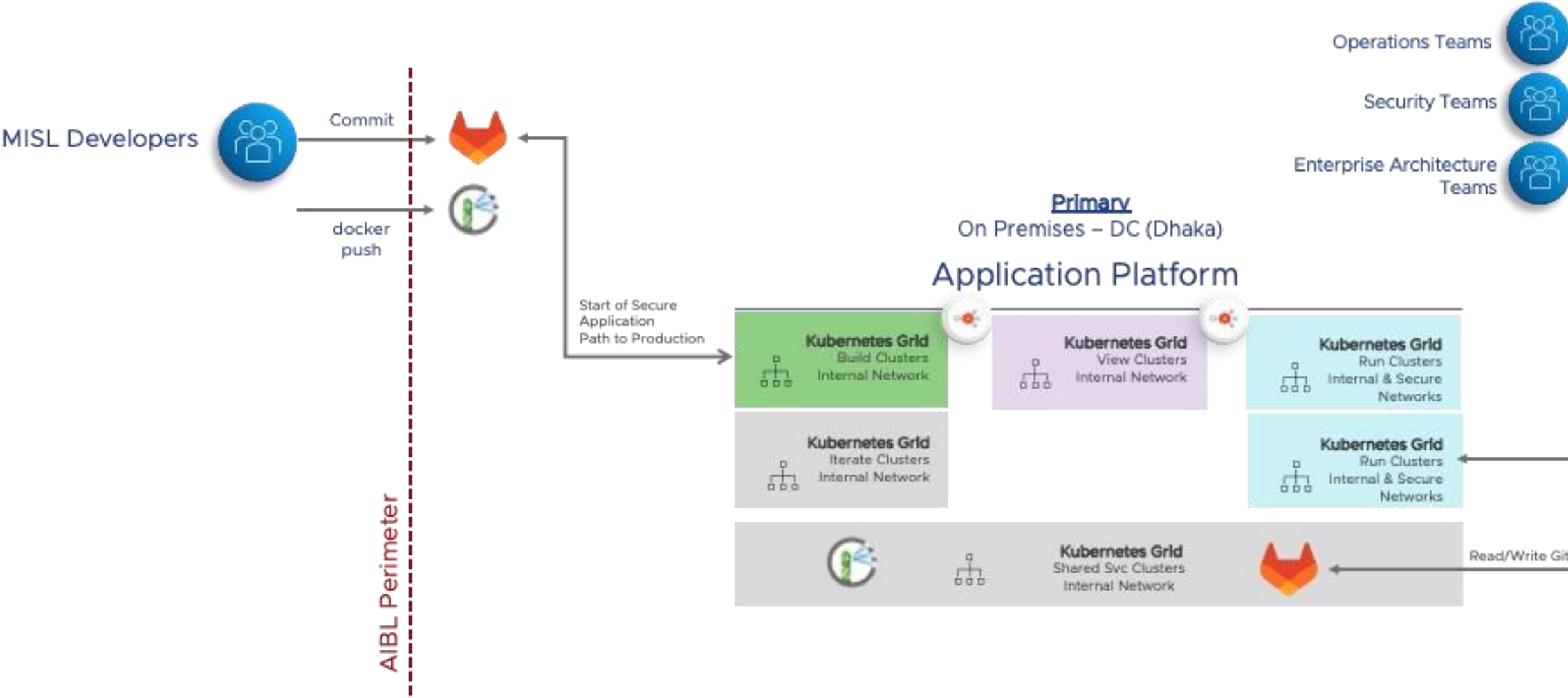
Supplier Prequalification and IPT Declaration

Supplier Code of Conduct Form

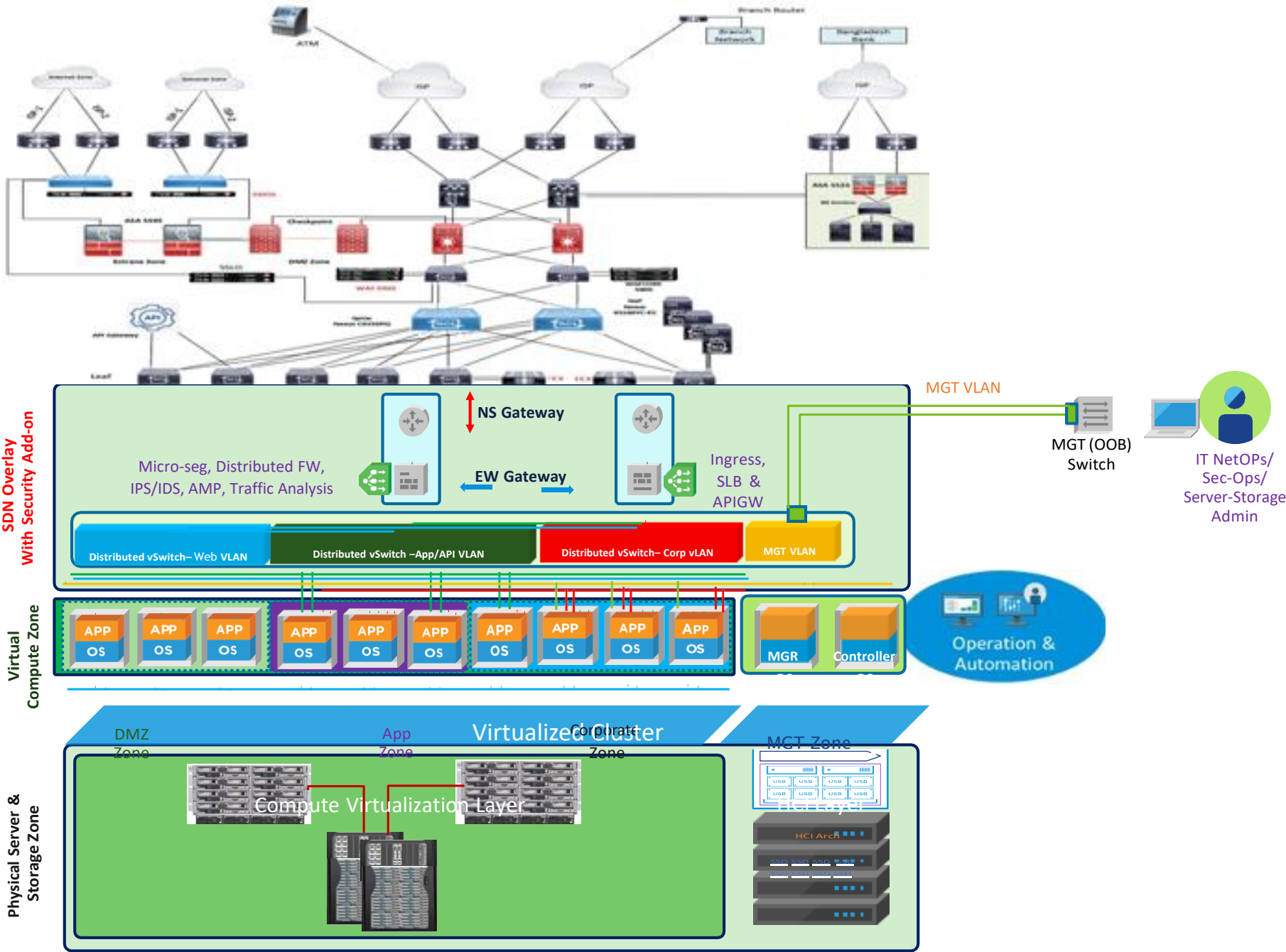
Non-disclosure Agreement (NDA)



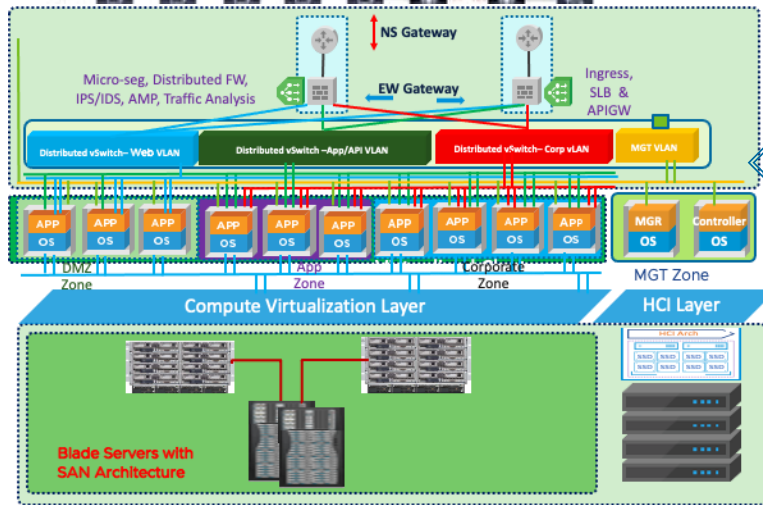
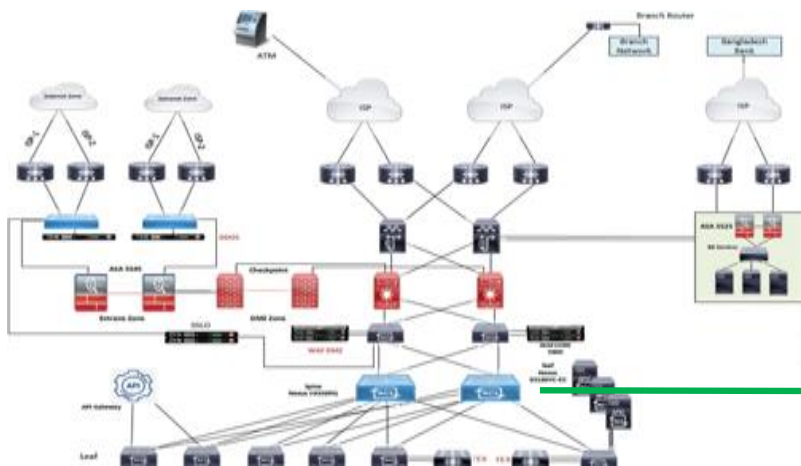
Kubernetes Operations – High Level Design



Application Platform – High Level Design



Blade Servers with
SAN Architecture

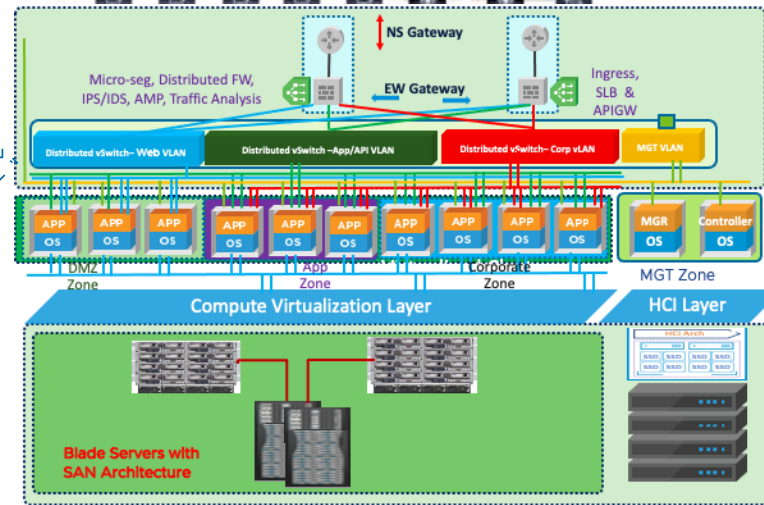
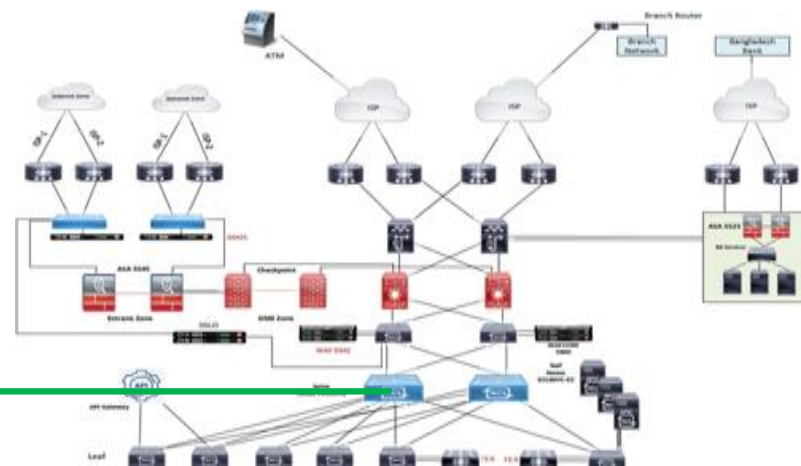


Primary DC

Layer 3 Connection

L2 over L3

SAN Replication



Secondary DC

1. Technical Documentation

1.1. Technical Architecture

The core architecture of “AbabilNG” is built around the concept of having a centralized and on-line operation for the entire bank with maximum number of delivery channels integration. Moreover, the centralized concept of having Customer Information System and General Ledger to reside in the core of the system made it possible to avoid data duplication allowing consistency throughout the entire solution.

The solution architecture is very robust and customizable. It clearly delineates the several layers – User interface layer, Business layer and Database layer. It follows an event-based architecture that encapsulates a user command and input data in an Event object and posts it to a Controller. The Controller performs the corresponding action through the appropriate manager classes that manages validation, security checks, performance of the action, and flow of UI.

1.1.1. Technical Architecture of Proposed Solution:

The present version of “AbabilNG” is built around a state-of-the-art technology platform using n-tier architecture having centralized implementation. However, the product went through major technological evolution since its inception.

The history started with a distributed branch-banking solution which evolved through 2-tier client server centralized solution and finally it turned out to be a robust and scalable new generation Islamic Banking Solution with n-tier architecture implemented in a centralized manner.

AbabilNG solution suite utilizes the best parts from different technologies. The high-performance transactions and business logic are implemented using highly efficient stored procedures in the oracle database. Latest distributed web technologies enable the AbabiG solution suite to be deployed with highest security, scalability, and availability.

